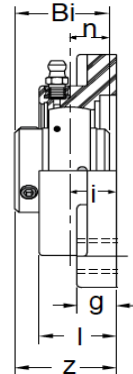
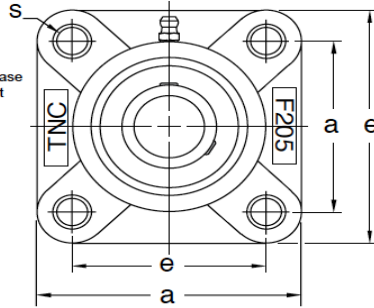


# Thermoplastic Housings



Housing Colour Optional:  
 White

Material: PBT  
 Solid Base  
 Stainless Steel Grease  
 Nipple same as Bolt  
 Holes



## Thermoplastic Housings PLF200 Series Flanged Units

Bearing Unit No.	Shaft Dia.		Dimensions (in. and mm)									Bolt in or mm	Bearing No.	Housing
	d		a	e	i	g	l	s	z	Bi	n			
	In.	mm												
SS-UC-PL-F201		12	86	63.5	18	13.4	27.8	11	36.3	31	12.7	M10	SSUC201	PLF204
SS-UC-PL-F201-08	1/2		3-3/8	2-1/2	45/64	17/32	1-3/32	7/16	1-27/64	1.2205	0.500	3/8	SSUC201-08	PLF204
SS-UC-PL-F202		15	86	63.5	18	13.4	27.8	11	36.3	31	12.7	M10	SSUC202	PLF204
SS-UC-PL-F202-10	5/8		3-3/8	2-1/2	45/64	17/32	1-3/32	7/16	1-27/64	1.2205	0.500	3/8	SSUC202-10	PLF204
SS-UC-PL-F203		17	86	63.5	18	13.4	27.8	11	36.3	31	12.7	M10	SSUC203	PLF204
SS-UC-PL-F204		20	86	63.5	18	13.4	27.8	11	36.3	31	12.7	M10	SSUC204	PLF204
SS-UC-PL-F204-12	3/4		3-3/8	2-1/2	45/64	17/32	1-3/32	7/16	1-27/64	1.2205	0.500	3/8	SSUC202-10	PLF204
SS-UC-PL-F205		25	95	70	17	14.3	28	11	36.7	34.1	14.3	M10	SSUC205	PLF205
SS-UC-PL-F205-16	1		3-3/4	2-3/4	43/64	9/16	1-7/64	7/16	1-29/64	1.3386	0.563	3/8	SSUC205-16	PLF205
SS-UC-PL-F206		30	108	83	19.2	14.3	31.7	11	41.4	38.1	15.9	M10	SSUC206	PLF206
SS-UC-PL-F206-20	1-1/4		4-1/4	3-17/64	3/4	9/16	1-1/4	7/16	1-5/8	1.5	0.626	3/8	SSUC206-20	PLF206
SS-UC-PL-F207		35	118	92	21.5	15.5	34.8	13	46.9	42.9	17.5	M12	SSUC207	PLF207
SS-UC-PL-F207-20	1-1/4		4-5/8	3-5/8	27/32	39/64	1-3/8	33/64	1-27/32	1.689	0.689	1/2	SSUC207-20	PLF207
SS-UC-PL-F207-22	1-3/8		4-5/8	3-5/8	27/32	39/64	1-3/8	33/64	1-27/32	1.689	0.689	1/2	SSUC207-22	PLF207
SS-UC-PL-F207-23	1-7/16		4-5/8	3-5/8	27/32	39/64	1-3/8	33/64	1-27/32	1.689	0.689	1/2	SSUC207-23	PLF207
SS-UC-PL-F208		40	130	102	23	17	37.5	14	53.2	49.2	19	M12	SSUC208	PLF208
SS-UC-PL-F208-24	1-1/2		5-1/8	4-1/64	13/16	43/64	1-15/32	35/64	2-3/32	1.937	0.748	1/2	SSUC208-24	PLF208
SS-UC-PL-F209		45	137	105	24	19	41	17	54.2	49.2	19	M16	SSUC209	PLF209
SS-UC-PL-F209-26	1-5/8		5-13/32	4-9/64	31/32	3/4	1-39/64	43/64	2-9/64	1.937	0.748	5/8	SSUC209-26	PLF209
SS-UC-PL-F209-28	1-3/4		5-13/32	4-9/64	31/32	3/4	1-39/64	43/64	2-9/64	1.937	0.748	5/8	SSUC209-28	PLF209
SS-UC-PL-F210		50	143	111	25	21	43	17	57.6	51.6	19	M16	SSUC210	PLF210
SS-UC-PL-F210-32	2		5-5/8	4-3/8	63/64	53/64	1-11/16	43/64	2-17/64	2.0315	0.748	5/8	SSUC210-32	PLF210

Thermoplastic Housing Specifications - Breaking Point Test (lbf.)							
Mode of Load	204 □	205 □	206 □	207 □	208 □	209 □	210
	3585	2922	4046	4159	4294	4350	4417
	2304	2731	3979	4159	4328	4350	4410
	821	753	753	791	852	865	896
Maximum Torque Values							
Bolt Diameter in. (mm)	3/8 (M10)	3/8 (M10)	3/8 (M10)	1/2 (M12)	1/2 (M12)	5/8 (M16)	5/8 (M16)
Torque lb. - in. □	13	18	22	25	33	36	40

Note: Open cap and back seal available